

Product Data Sheet

PS **WS PersoPrint**

Vehicle Windshield Label for Local Final Personalisation

The Porta Saber **WS PersoPrint** label was developed for Automatic Vehicle Identification and Registration Systems. The labels can be produced with a multitude of materials and can be personalised at the issuing office. The design can be customised to the customers requirement.

Electrical Specifications

Type :	Passive UHF RFID		
Protocol :	EPC Class 1 ISO 1800-63		
Frequency :	Global 860 to 960 MHz		
IC :	NXP UCODE DNA - Gen 2 V2	UCODE 8M – Gen2 V1	R6P – Gen 2 V1
Memory :			
TID	96 bits	96 bits	96 bits
EPC	224 bits	96 bits	128 / 96 bits
USER	3.072 bits	32 bits	32 / 64 bits
PASSWORD	32 bit Access and 32 bit Kill	32 bit Access, 32 bit Kill	32 bit Access, 32 bit Kill
Encryption:	2x128b AES Keys, AES Digital Core	----	----
Read Range**	Up to 18 meters		

Mechanical Specifications

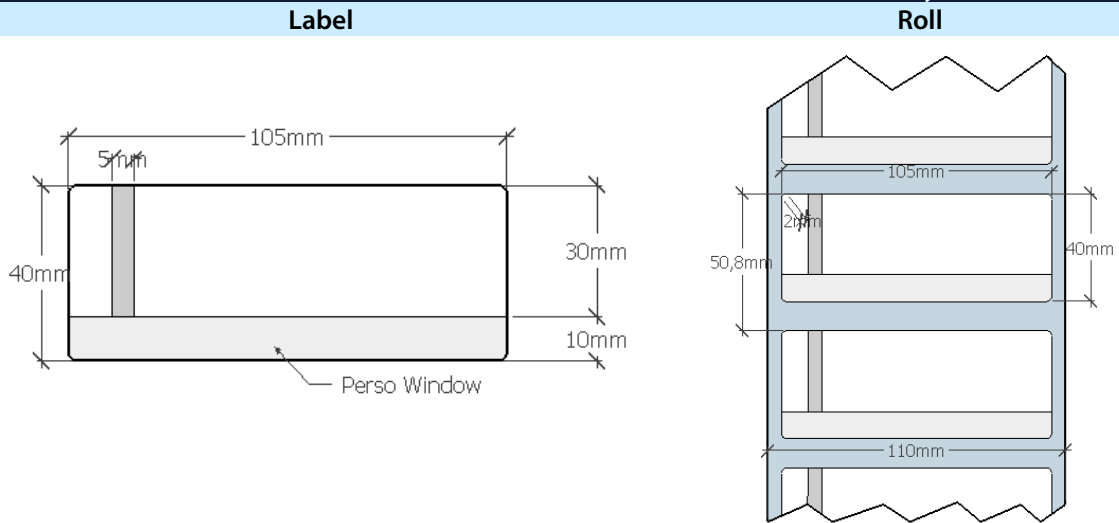
Structure :	
Liner	Siliconized Paper
Adhesive	High Tack Acrylic Pressure Adhesive
Wet Face	PP+ Security Paper with Metallic Hologram
Antenna	Aluminium
Dry Face	PP +Paper or Security Paper with Metallic Hologram
Delivery Format :	On reel 500 / 1000 / 2500 pcs
Bad Labels :	Marked not removed
Pitch:	50,8 mm
Inner Core :	76 mm
Dimensions :	105 x 40 x 0,36 mm
Application :	Vehicle Windshield / Glass / Security Glass

Ambient Conditions

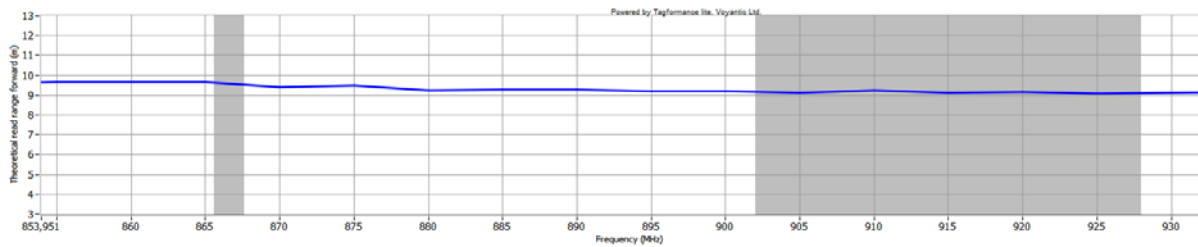
Operational Temp.	-35°C to 85°C
Exterior Temp.	-35°C to 85°C
Shelf Life	12 Months +20°C / 50% RH
Product Life	Years in normal conditions
Chemical Resistance	Resistant to normal cleaning fluids

Add On's***		
Other Chips	Pre Printing	Tamper Evidence
Pre- Encoding	Personalisation	Tamper Proof Cuts
Encoding	Security Printing	Hologram

Physical Dimensions



Label Performance



Disclaimer:

- * - Read ranges are theoretical values measured in controlled laboratory environment. Read range is affected by adjacent materials and weather conditions, local regulations for using RFID systems and their configurations.
- ** - Outdoor test measurement
- *** - Minimum Order Quantities and costs will be discussed on a per request basis

The enclosed information is indicative and result of tests and supplier's information Porta Saber cannot guarantee the information at customer conditions We help our customers to select the right configuration in every condition to ensure optimal RFID system performance.

